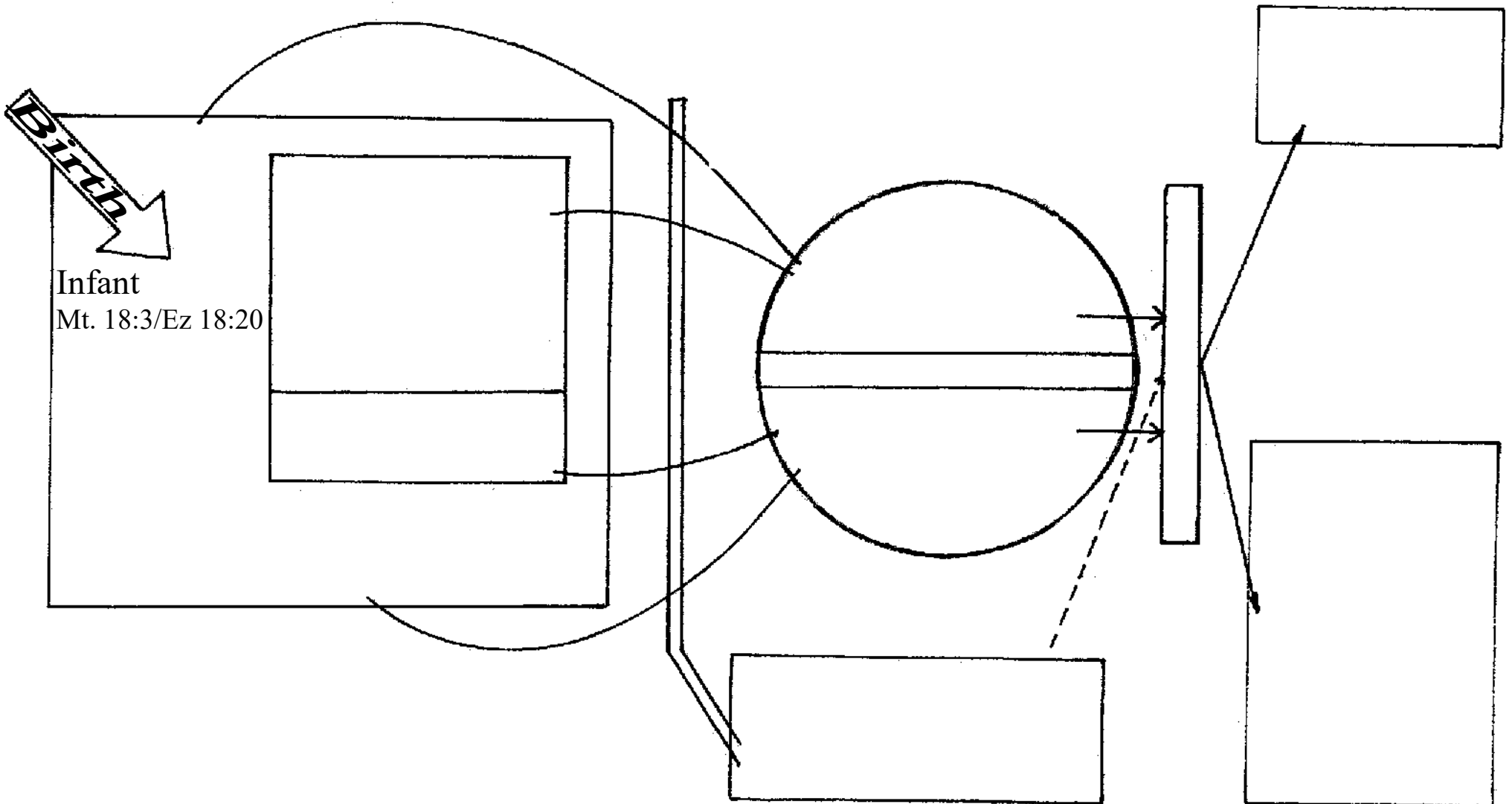


THE STATE OF MAN

"If a man die, shall he live again?" Job 14:14



Matthew 18:3

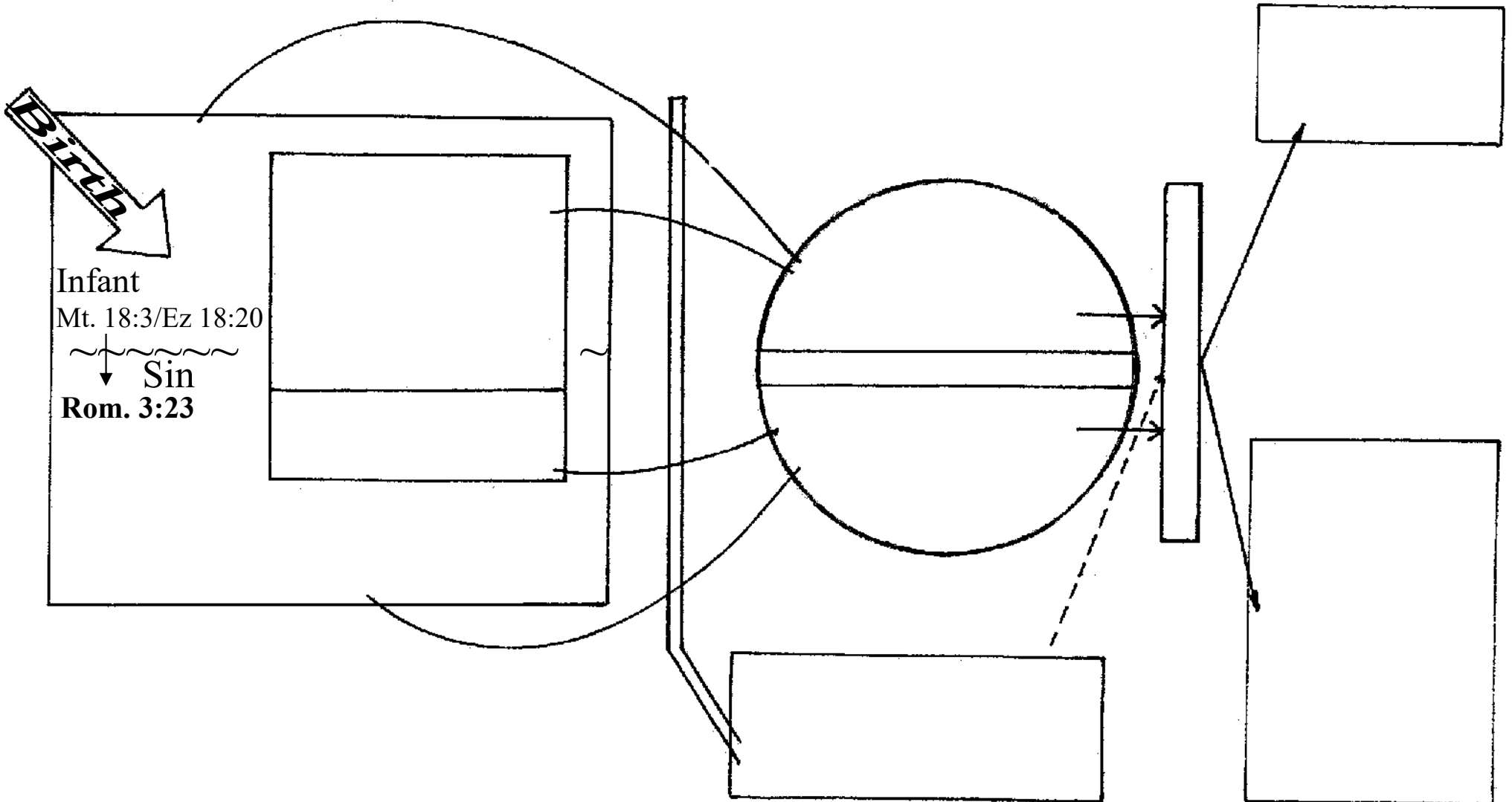
“And said, Verily I say unto you, Except ye be converted, and become as little children, ye shall not enter into the kingdom of heaven.”

Ezekiel 18:20

“The soul that sinneth, it shall die. The son shall not bear the iniquity of the father, neither shall the father bear the iniquity of the son: the righteousness of the righteous shall be upon him, and the wickedness of the wicked shall be upon him.”

THE STATE OF MAN

"If a man die, shall he live again?" Job 14:14

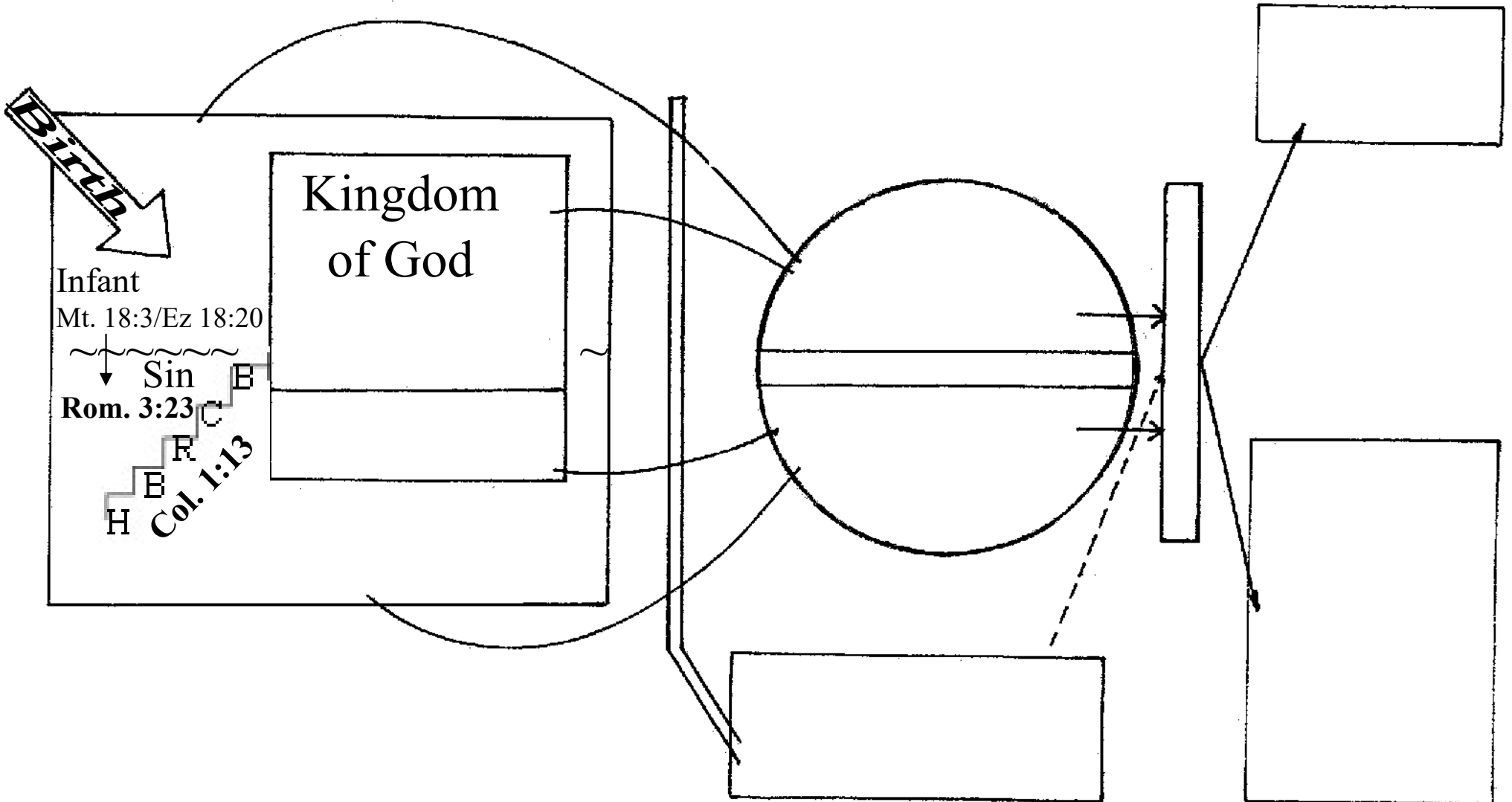


Romans 3:23

“For all have sinned, and come short of the glory of God;”

THE STATE OF MAN

"If a man die, shall he live again?" Job 14:14

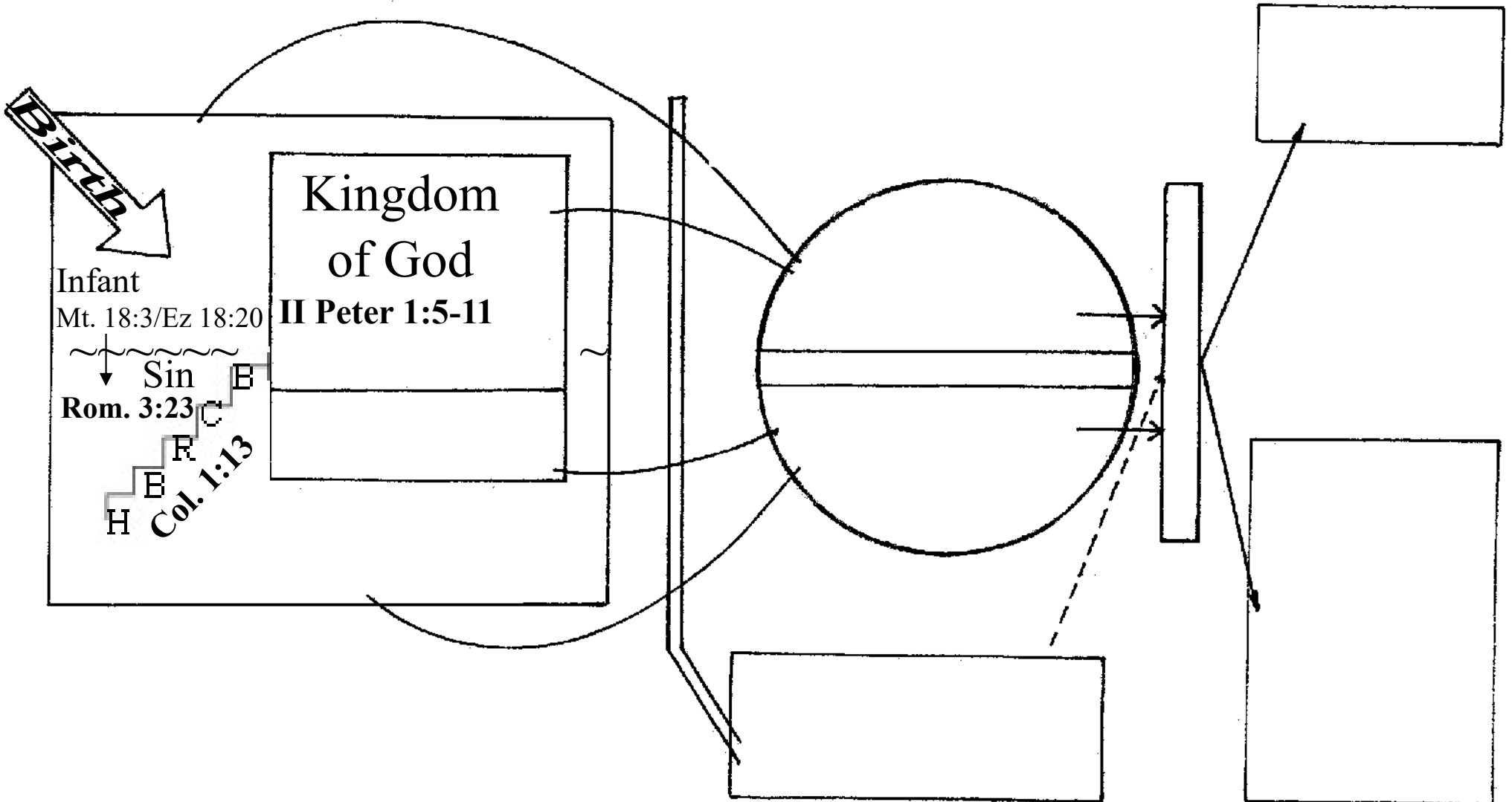


Colossians 1:13

“Who hath delivered us from the power of darkness, and hath translated us into the kingdom of his dear Son:”

THE STATE OF MAN

"If a man die, shall he live again?" Job 14:14



II Peter 1:5-11

“And beside this, giving all diligence, add to your faith virtue; and to virtue knowledge; And to knowledge temperance; and to temperance patience; and to patience godliness; And to godliness brotherly kindness; and to brotherly kindness charity.

II Peter 1:5-11

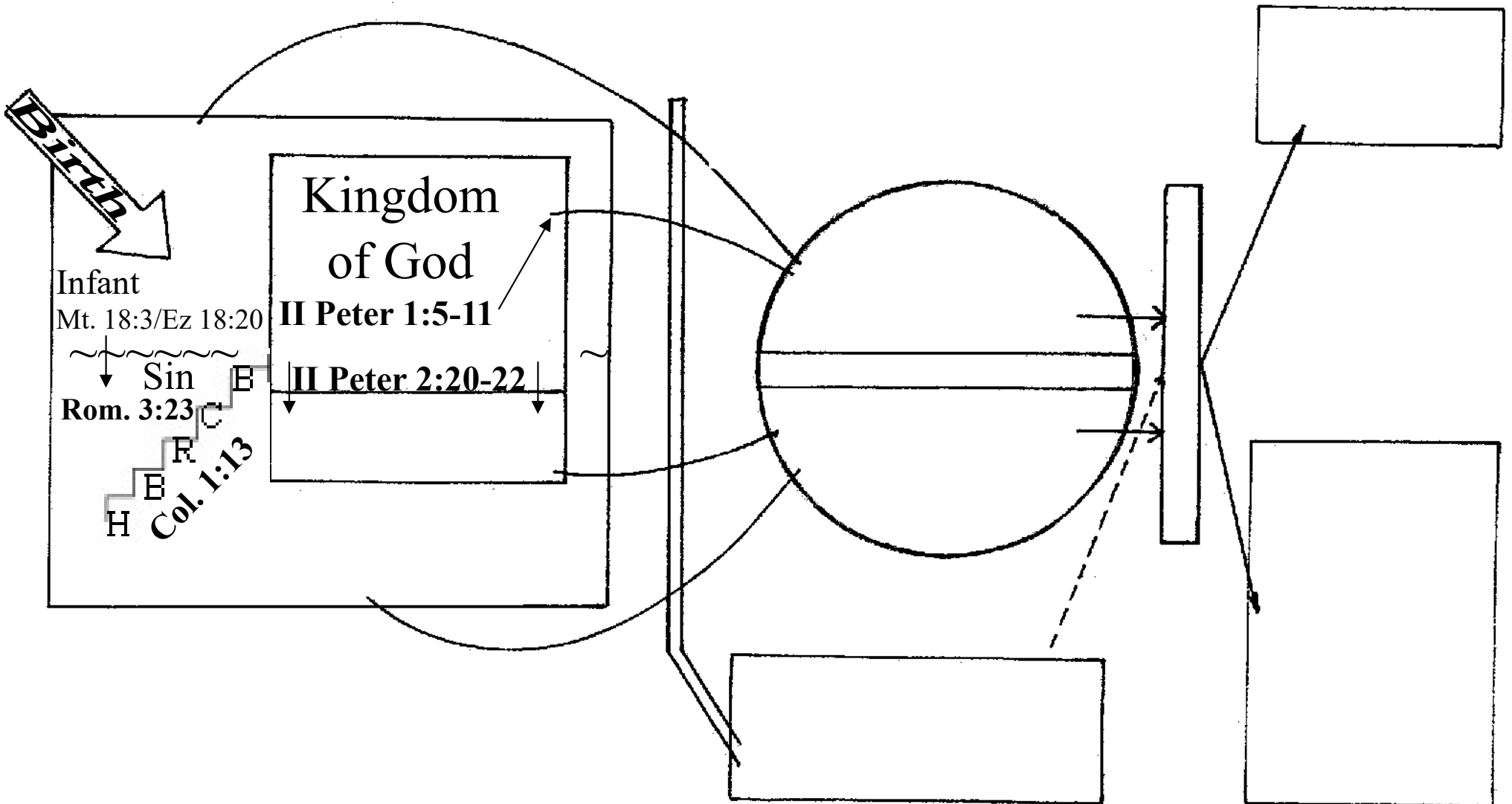
“For if these things be in you, and abound, they make you that ye shall neither be barren nor unfruitful in the knowledge of our Lord Jesus Christ. But he that lacketh these things is blind, and cannot see afar off, and hath forgotten that he was purged from his old sins.

II Peter 1:5-11

“Wherefore the rather, brethren, give diligence to make your calling and election sure: for if ye do these things, ye shall never fall: For so an entrance shall be ministered unto you abundantly into the everlasting kingdom of our Lord and Saviour Jesus Christ.”

THE STATE OF MAN

"If a man die, shall he live again?" Job 14:14



II Peter 2:20-22

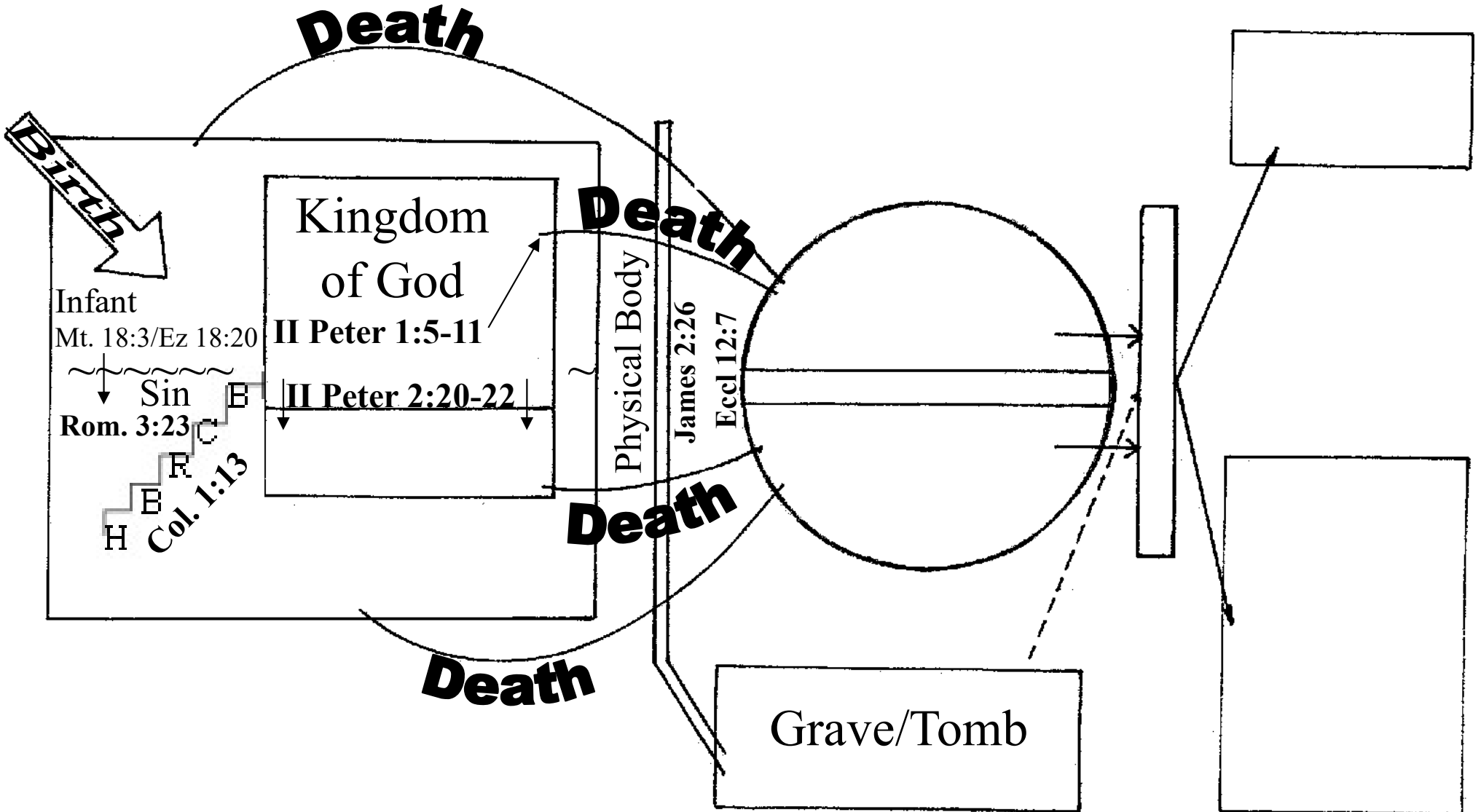
“For if after they have escaped the pollutions of the world through the knowledge of the Lord and Saviour Jesus Christ, they are again entangled therein, and overcome, the latter end is worse with them than the beginning.

II Peter 2:20-22

“For it had been better for them not to have known the way of righteousness, than, after they have known it, to turn from the holy commandment delivered unto them. But it is happened unto them according to the true proverb, The dog is turned to his own vomit again; and the sow that was washed to her wallowing in the mire.”

THE STATE OF MAN

"If a man die, shall he live again?" Job 14:14



James 2:26

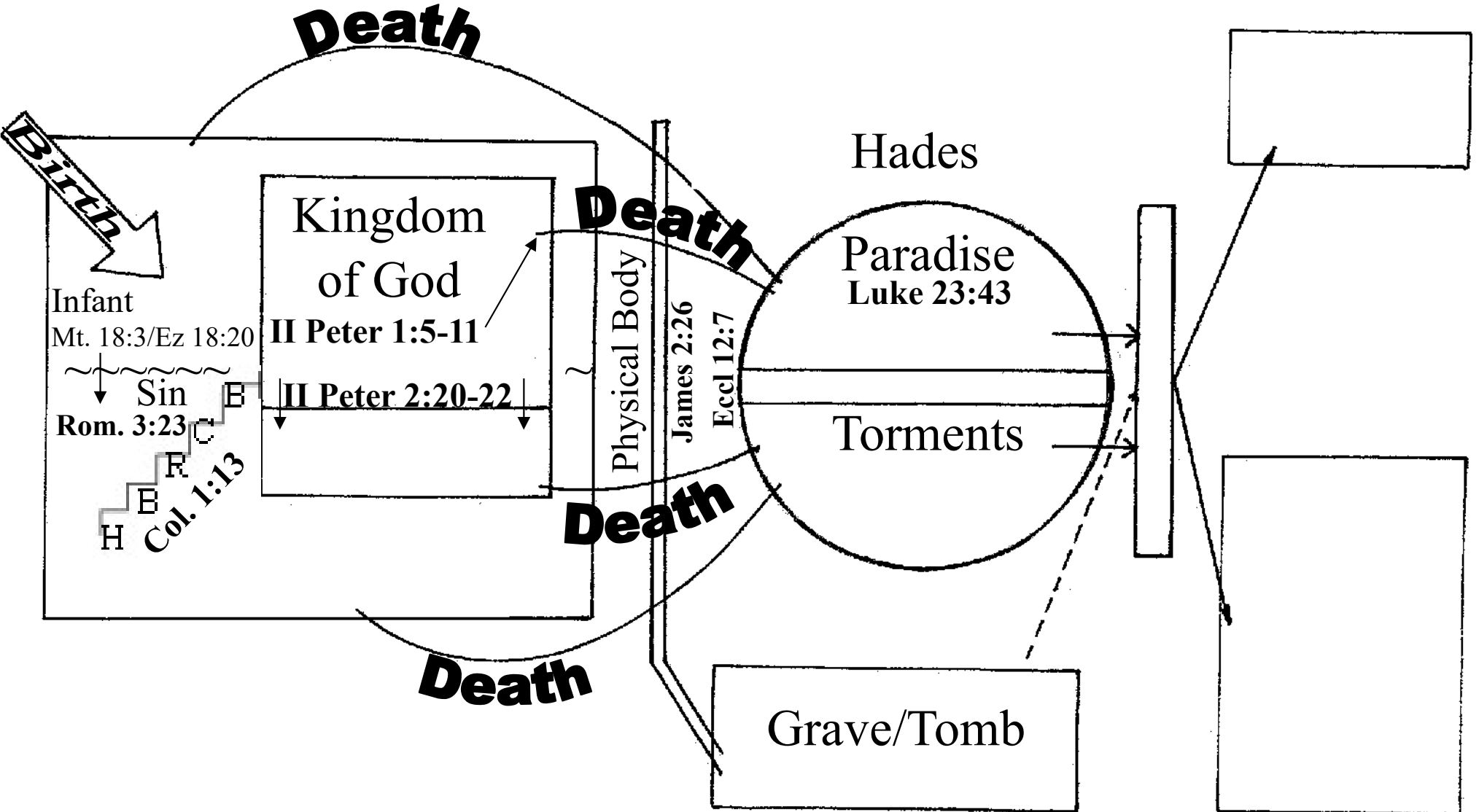
“For as the body without the spirit is dead, so faith without works is dead also.”

Ecclesiastes 12:7

“Then shall the dust return to the earth as it was: and the spirit shall return unto God who gave it.”

THE STATE OF MAN

"If a man die, shall he live again?" Job 14:14

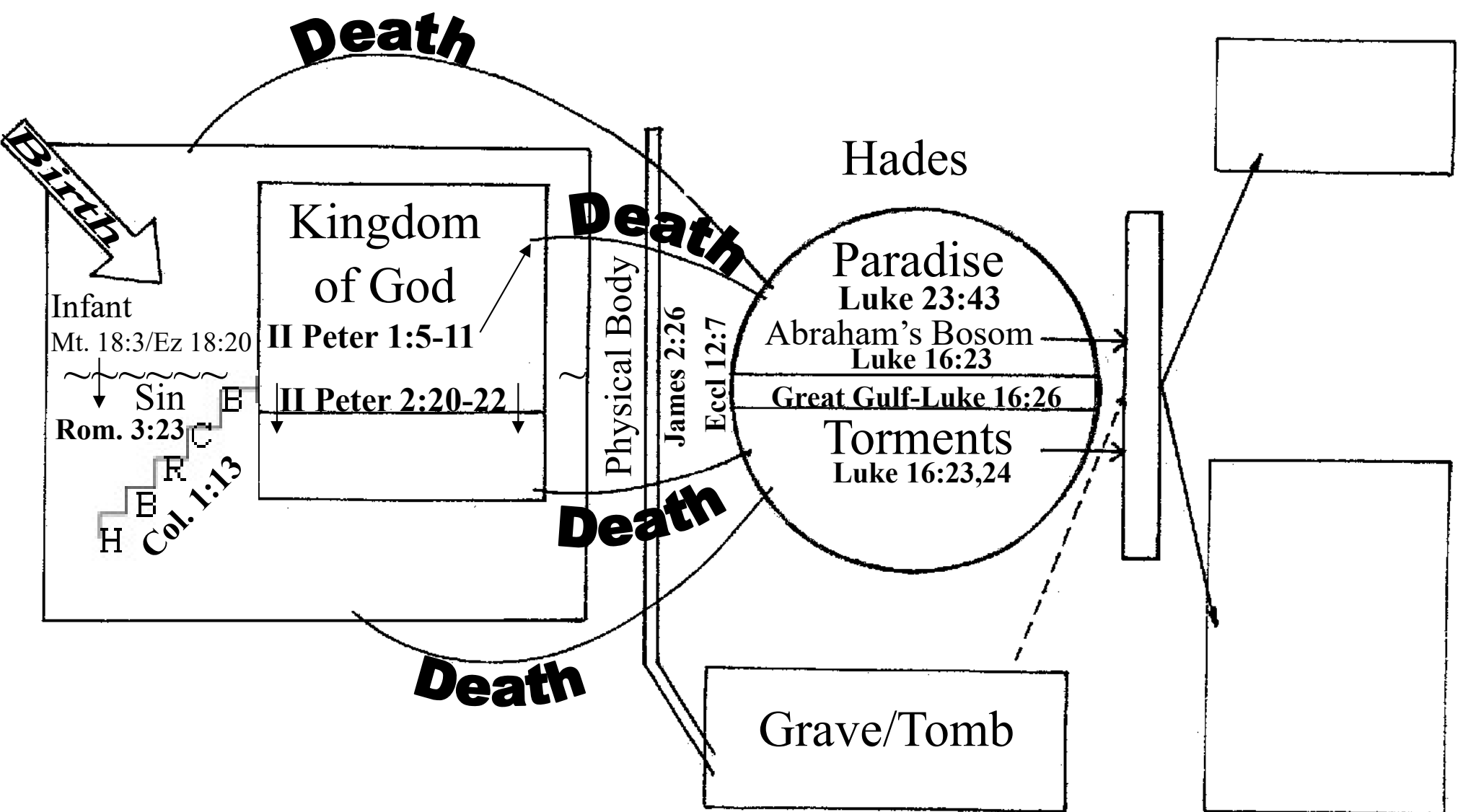


Luke 23:43

“And Jesus said unto him, Verily I say unto thee, Today shalt thou be with me in paradise.”

THE STATE OF MAN

"If a man die, shall he live again?" Job 14:14



John 20:17

“Jesus saith unto her, Touch me not; for I am not yet ascended to my Father: but go to my brethren, and say unto them, I ascend unto my Father, and your Father; and to my God, and your God.”

Acts 2:27

“Because thou wilt not leave my soul in hell,
neither wilt thou suffer thine Holy One to
see corruption.”

Acts 2:31

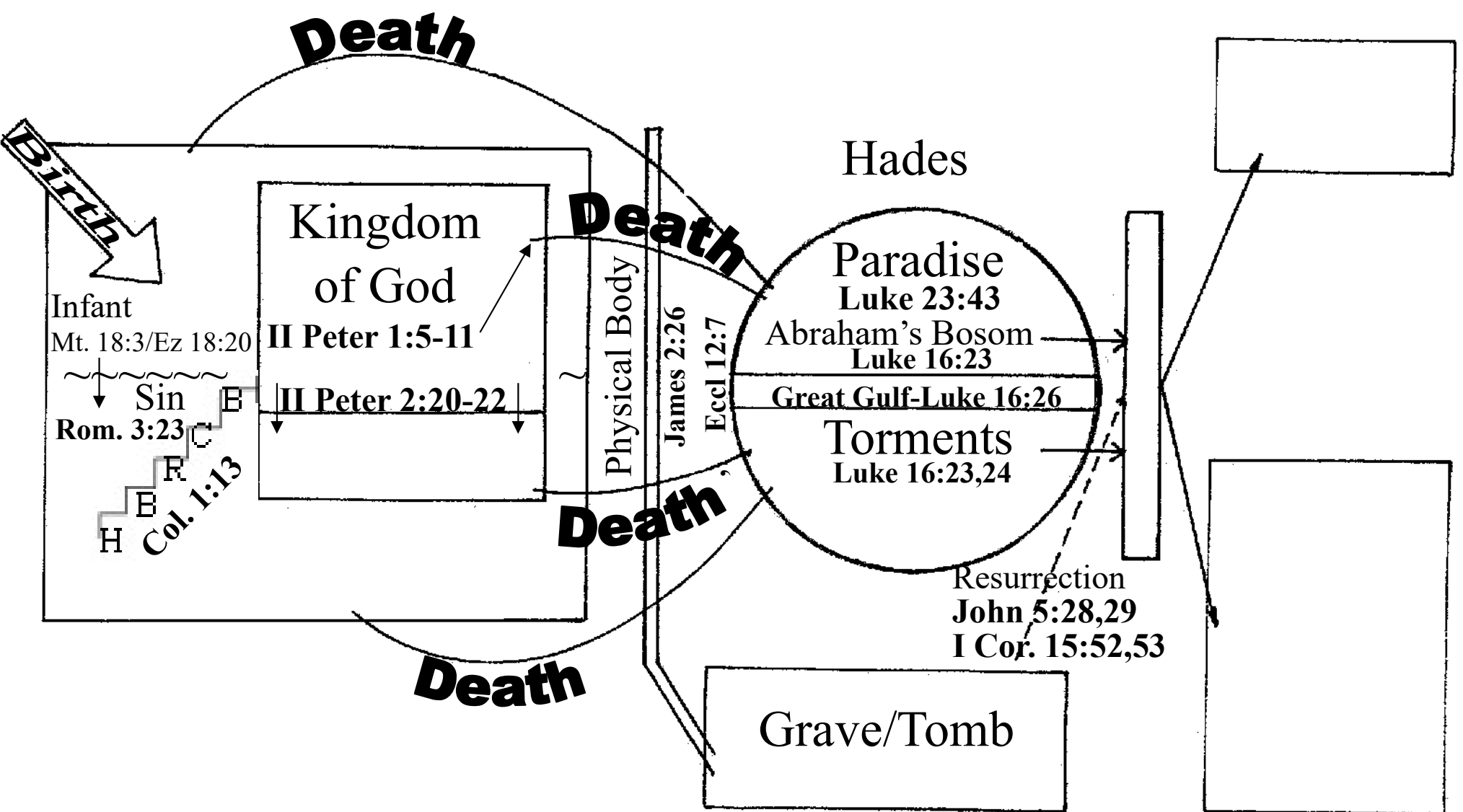
“He seeing this before spake of the resurrection of Christ, that his soul was not left in hell, neither his flesh did see corruption.”

Acts 1:9-11

“And when he had spoken these things, while they beheld, he was taken up; and a cloud received him out of their sight. And while they looked stedfastly toward heaven as he went up, behold, two men stood by them in white apparel; Which also said, Ye men of Galilee, why stand ye gazing up into heaven? this same Jesus, which is taken up from you into heaven, shall so come in like manner as ye have seen him go into heaven.”

THE STATE OF MAN

"If a man die, shall he live again?" Job 14:14



John 5:28,29

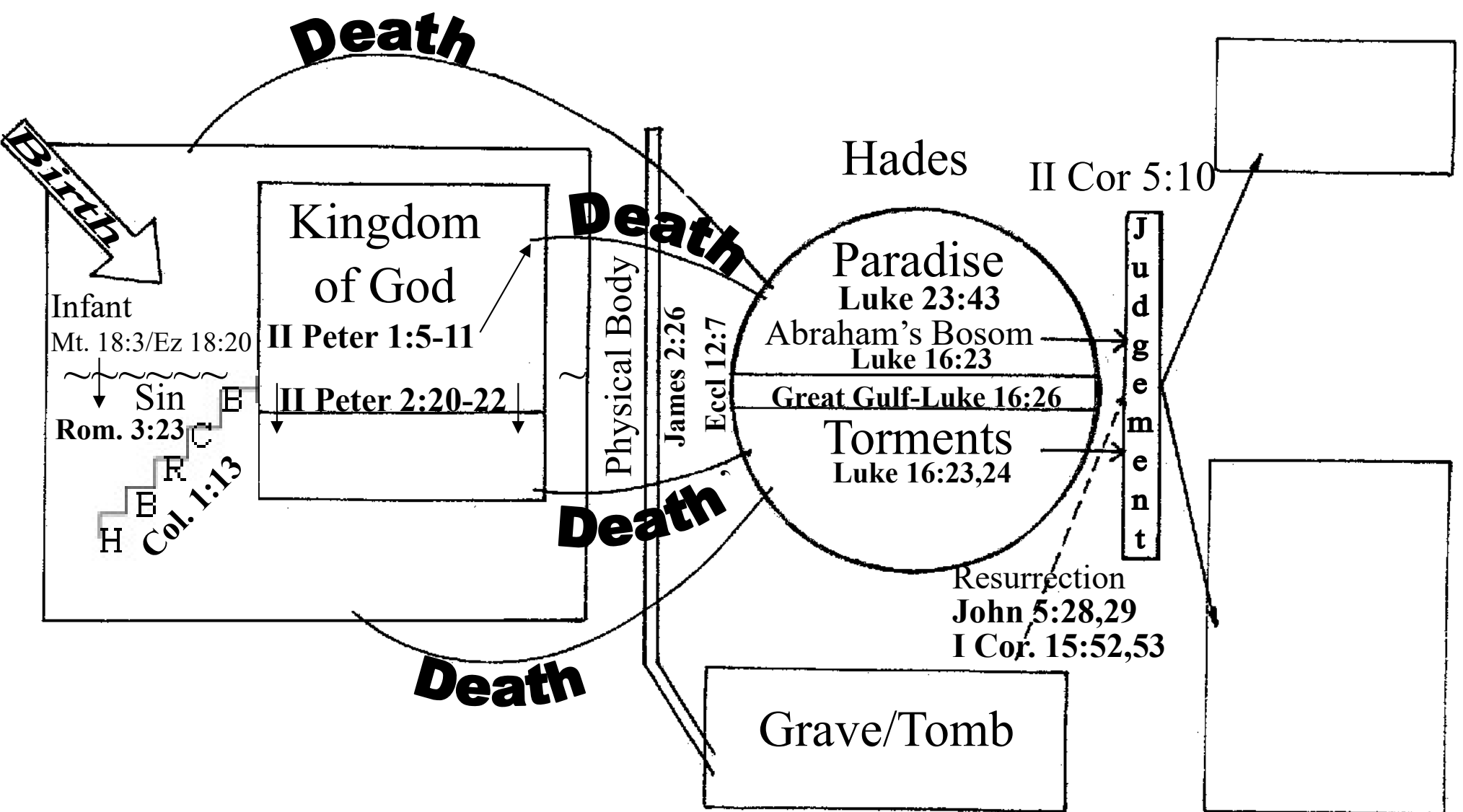
“Marvel not at this: for the hour is coming, in the which all that are in the graves shall hear his voice, and shall come forth; they that have done good, unto the resurrection of life; and they that have done evil, unto the resurrection of damnation.”

I Corinthians 15:52,53

“In a moment, in the twinkling of an eye, at the last trump: for the trumpet shall sound, and the dead shall be raised incorruptible, and we shall be changed. For this corruptible must put on incorruption, and this mortal must put on immortality.”

THE STATE OF MAN

"If a man die, shall he live again?" Job 14:14

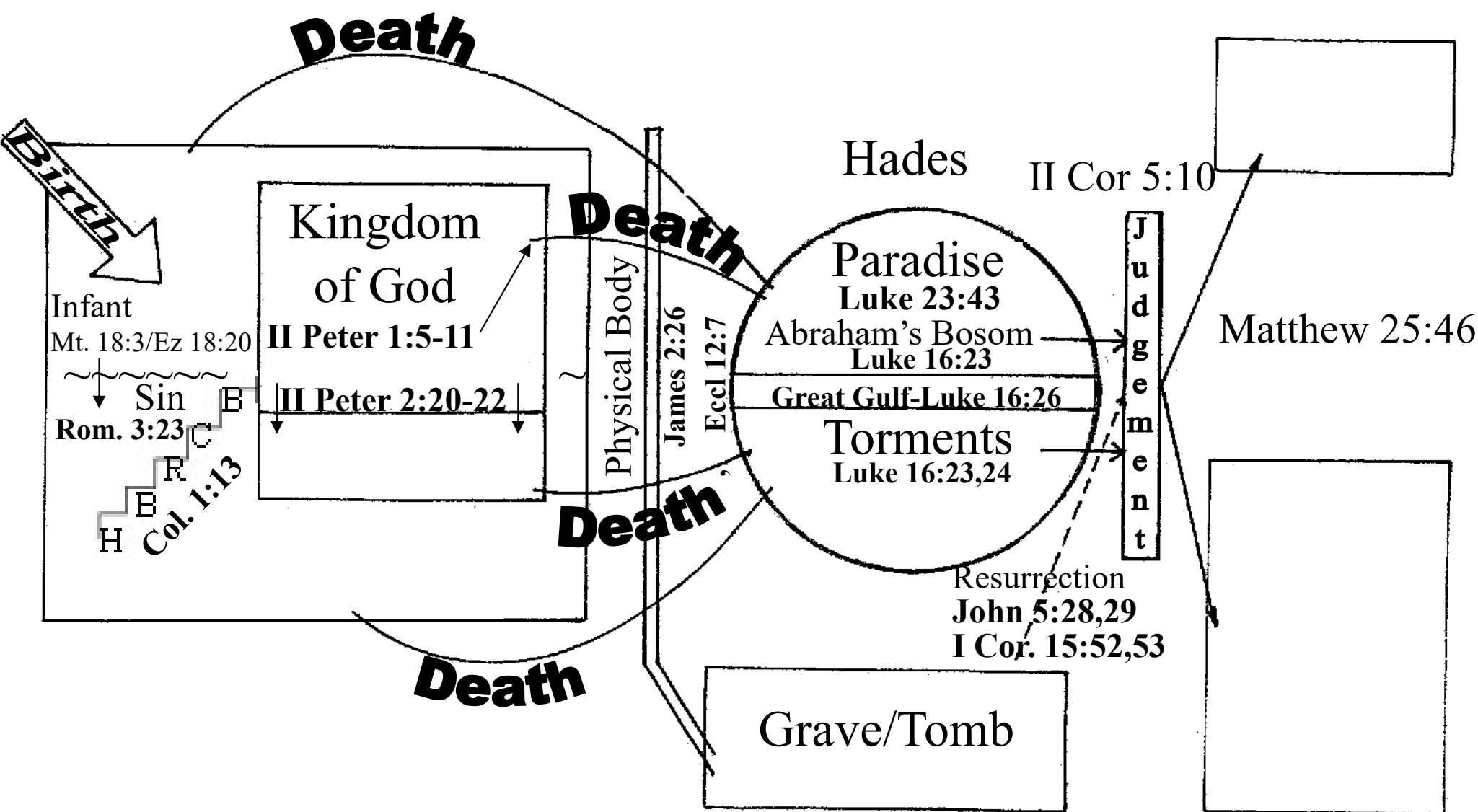


II Corinthians 5:10

“For we must all appear before the judgment seat of Christ; that every one may receive the things done in his body, according to that he hath done, whether it be good or bad.”

THE STATE OF MAN

"If a man die, shall he live again?" Job 14:14

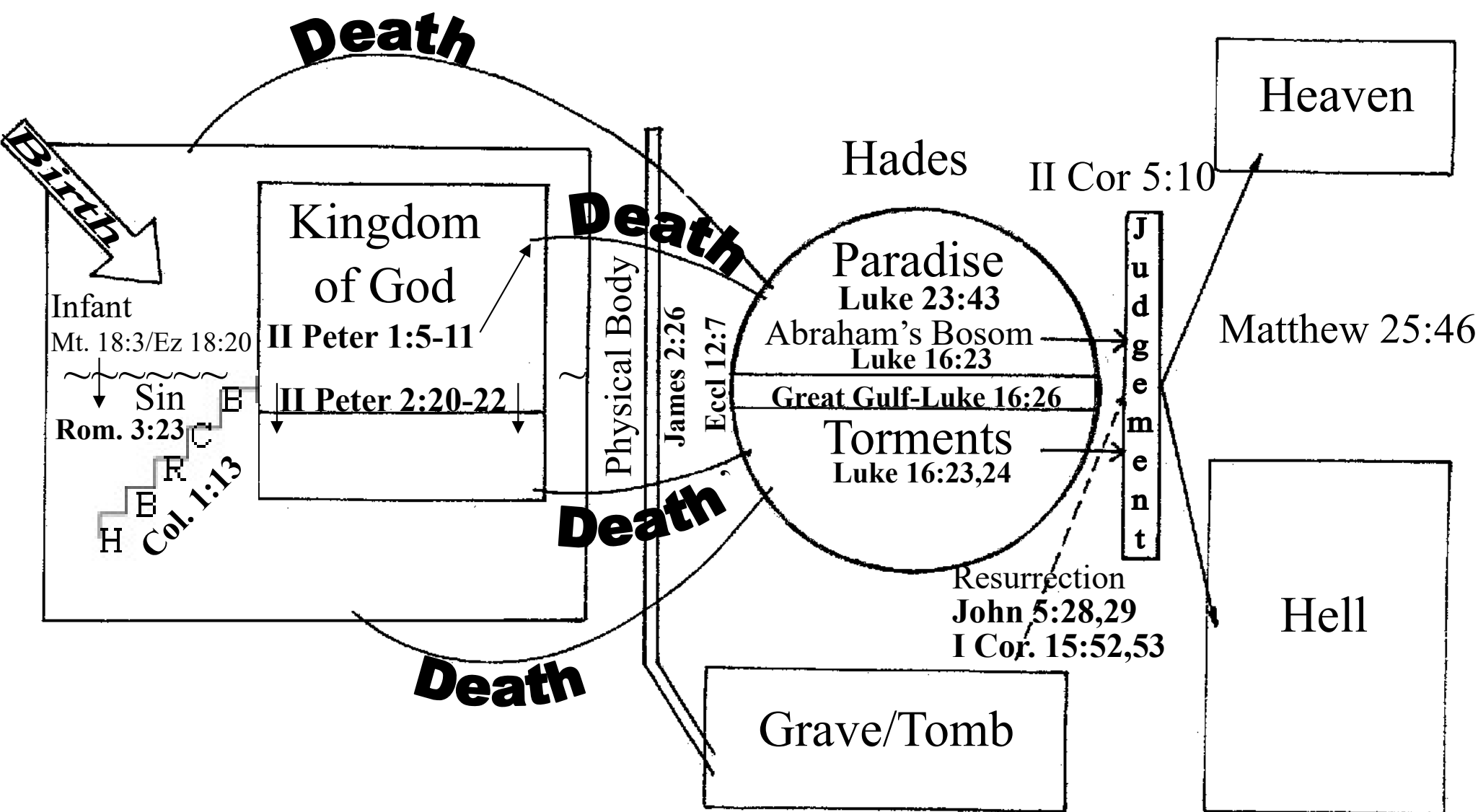


Matthew 25:46

“And these shall go away into everlasting punishment: but the righteous into life eternal.”

THE STATE OF MAN

"If a man die, shall he live again?" Job 14:14



II Peter 3:9-11

“The Lord is not slack concerning his promise, as some men count slackness; but is longsuffering to us-ward, not willing that any should perish, but that all should come to repentance. But the day of the Lord will come as a thief in the night; in the which the heavens shall pass away with a great noise, and the elements shall melt with fervent heat, the earth also and the works that are therein shall be burned up.

II Peter 3:9-11

“Seeing then that all these things shall be dissolved, what manner of persons ought ye to be in all holy conversation and godliness”

THE STATE OF MAN

"If a man die, shall he live again?" Job 14:14

